

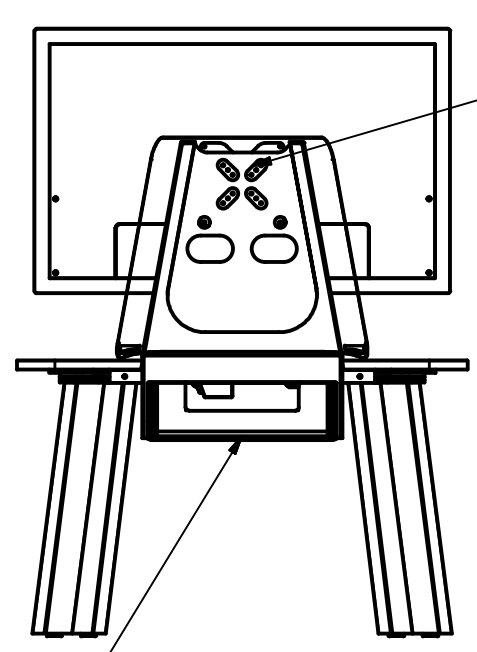
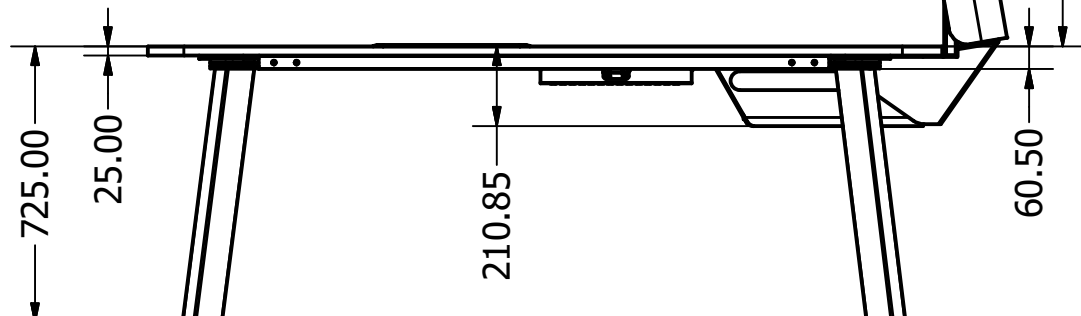
CUSTOMISABLE BENCHTOP SIZES, FINISHES, AND SHAPES

4X GPO
2X USB CHARGE

REMOVABLE ACCESS COVER

VESA MOUNTS

3RU SLIDE OUT AV RACK



Designed by SAMUEL PURDIE	Checked by	Approved by	Date	Date 21/2/19	COPYRIGHT
podion.			COLLABORATIVE TABLE A WITH RACK AND TV STAND		
			CF-AX	STAGE	Sheet 1 / 1