



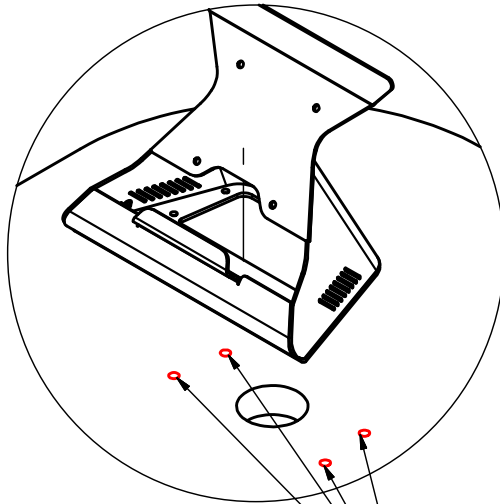
TECH SPECS

# DESK MOUNT

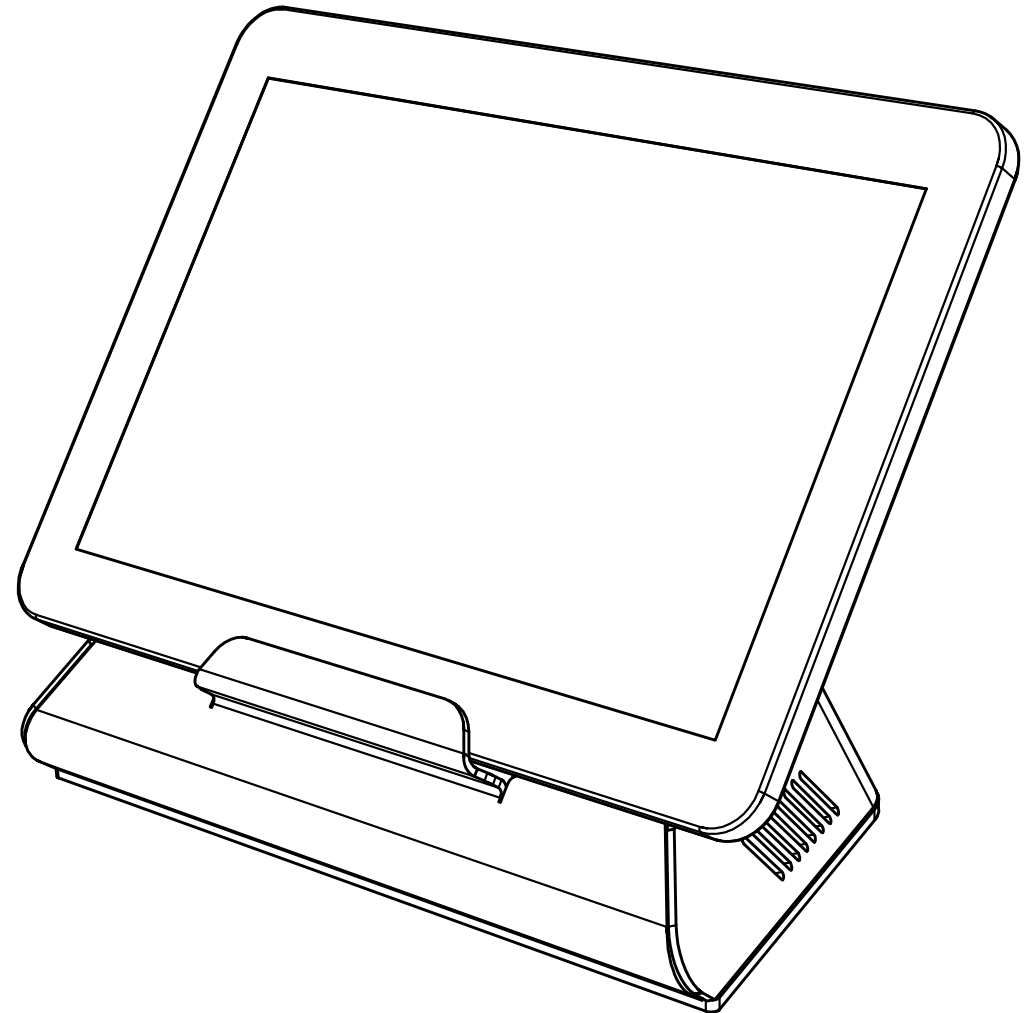
Compatible with MIMO Touchscreen Monitor

MML-MIMO-BTM

## BENCHTOP FIXINGS



Use M6 button head bolts  
(min. 30mm length) and M6  
flat washers to fix from  
bottom of benchtop through  
the bottom face of the mount

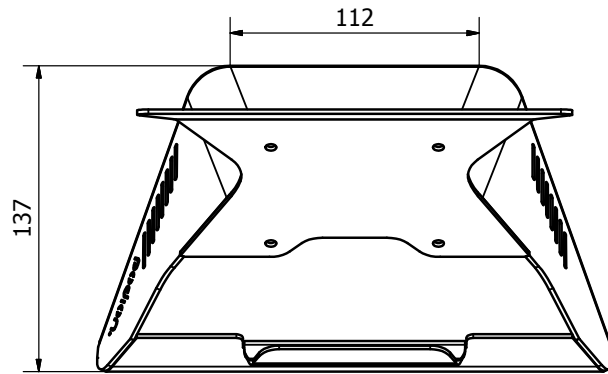


[podionglobal.com](http://podionglobal.com)

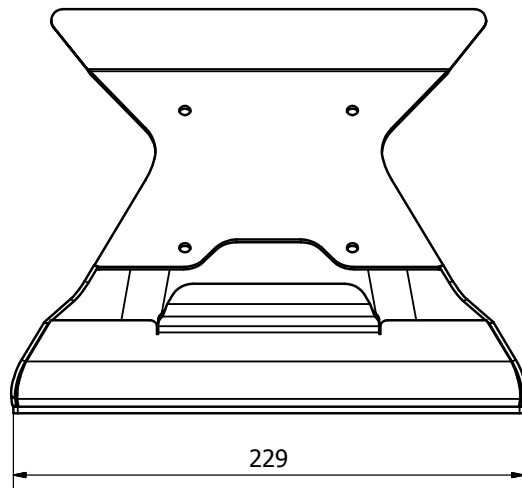
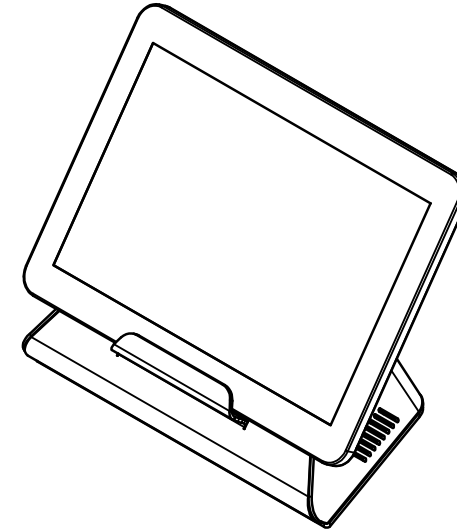
+61 3 9708 6349  
[sales@podionglobal.com](mailto:sales@podionglobal.com)  
ABN 17 614 109 334

100 Wedgewood Rd,  
Hallam, Victoria,  
Australia 3803

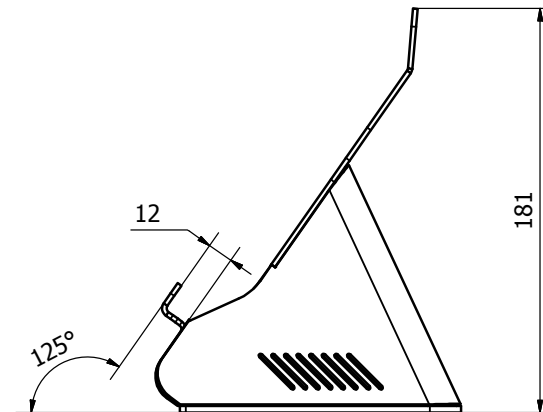
# podion.



**TOP**



**FRONT**



**SIDE**

[podionglobal.com](http://podionglobal.com)

+61 3 9708 6349  
[sales@podionglobal.com](mailto:sales@podionglobal.com)  
ABN 17 614 109 334

100 Wedgewood Rd,  
Hallam, Victoria,  
Australia 3803