

## DESCRIPTION

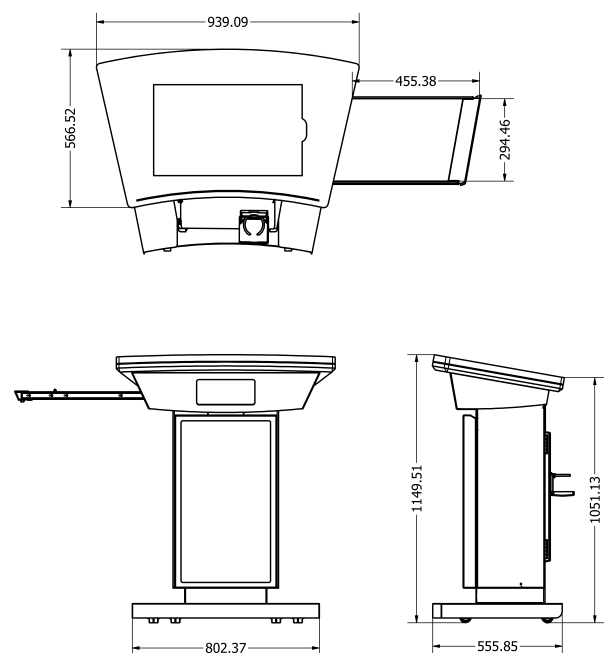
The POD-CC is an ideal choice for conference centers, hotels, and corporations. This sleek lectern is packed with AV & IT capabilities, including a 32" front monitor & 22" front monitor. Additionally, you can customize the top panel by applying illuminated laser-cut steel or vinyl company logo.

## KEY FEATURES

- Fixed height
- Built-in AV & IT connectivity
- Digital signage
- Bench top monitor
- Smart cable management
- Illuminated logo panel
- Expandable work space
- Storage shelves
- Castor wheels
- Built in cup holder



PRODUCT NAME:	POD-CC
PRODUCT DESCRIPTION:	FIXED HEIGHT LECTERN
PRODUCT CATEGORY:	PODIUM LECTERNS
OVERALL FOOTPRINT:	945mm-550mm (37" x 22")
BENCH TOP DIMENSIONS:	550mm X 945mm (37" x 22")
BODY MATERIAL:	STEEL
BENCH TOP MATERIAL:	PAINTED MDF
HEIGHT:	1150mm (45")
LOGO PANEL DIMENSIONS:	240mm x 105mm (9" x 4")
AV CONNECTIVITY:	HDMI,USB-C,ETHERNET THROUGHPUTS
COLORS/FINISHES:	MATTE BLACK



## SLIDE OUT SHELF

The side of the body extended out providing additional space. Can be used to hold a laptop or notes, or concealed away during transport or when not in use.



## INTERNAL STORAGE

The POD-CC has 3 internal shelves for mounting and storing items, secured with a lockable door. The column features a lockable, hinged door that grants access to three storage shelves, while the internal cable management system keeps everything organized and minimizes cable snags.

