



DESCRIPTION

POD-P is both strong and lightweight, with built-in roll away wheels for portability between venues or within a space. The powder-coated finish ensures durability, maintaining its sleek appearance. Adjustable leveling feet ensure stability on any surface.

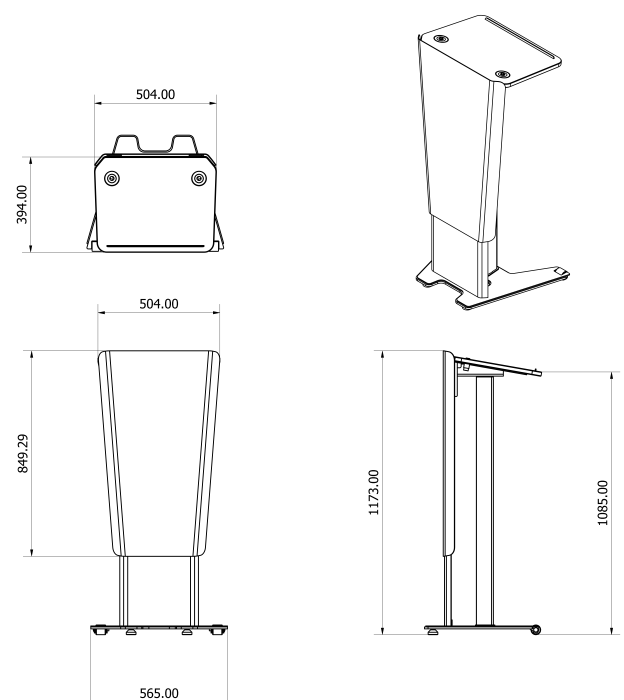
Designed with user comfort in mind, the bench top features a curved inclined design. A metal rail paper stop prevents items from sliding off.

KEY FEATURES

- Inclined work surface
- Integrated dual flush XLR shock mounts
- Metal rail paper stop
- Adjustable leveling feet
- Built-in wheels
- Concealed cable management system



Product Name:	POD-P
Product Description:	FIXED HEIGHT LECTERN
Product Category:	PODIUM LECTERNS
Overall Footprint:	575mm x 515mm (23" x 20")
Height:	1125mm (44")
Bench top Dimensions:	575mm x 440mm (23" x 17")
Weight:	16kgs (35lbs)
Materials:	PAINTED BENCH TOP, ALUMINUM BODY
Logo panel:	340mm x 750mm (13" x 30")
Colors/Finishes:	MATTE BLACK





SIGNAGE PANEL

Transform this lectern into a premium advertising space by adding eye-catching vinyl wrap signage on the front panel.



EASY ROLL-AWAY WHEELS

The lectern has built in wheels for quick portability without having to lift the lectern off the ground.

